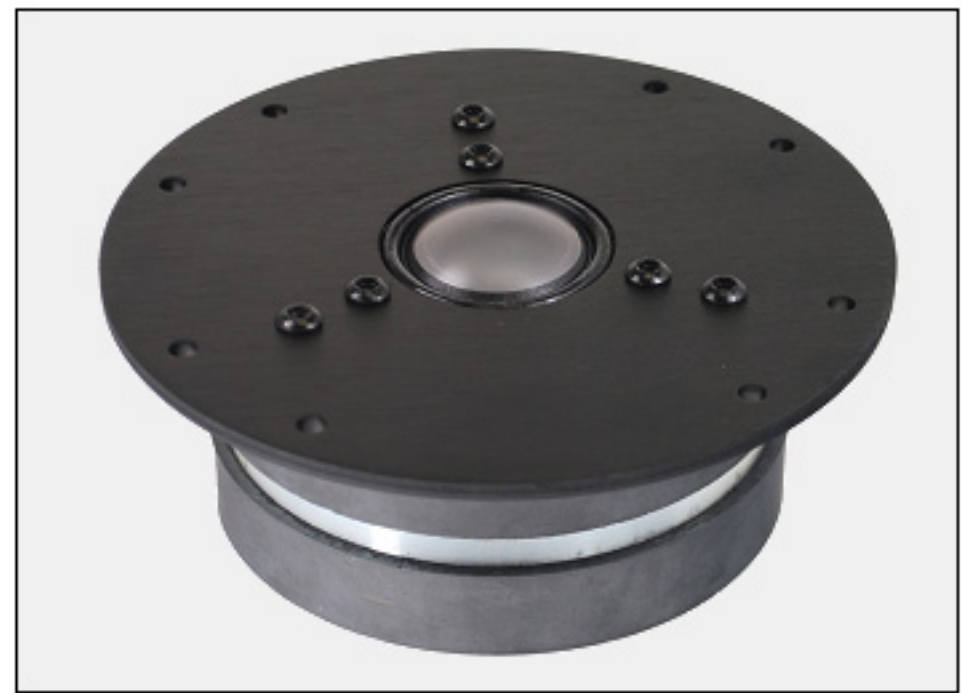
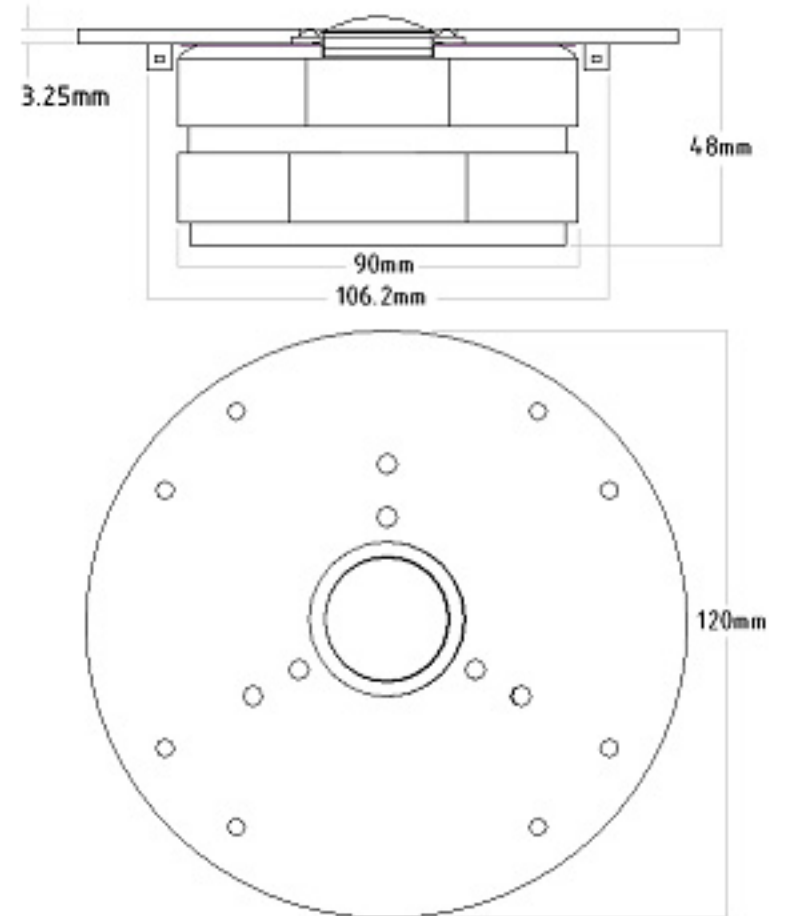
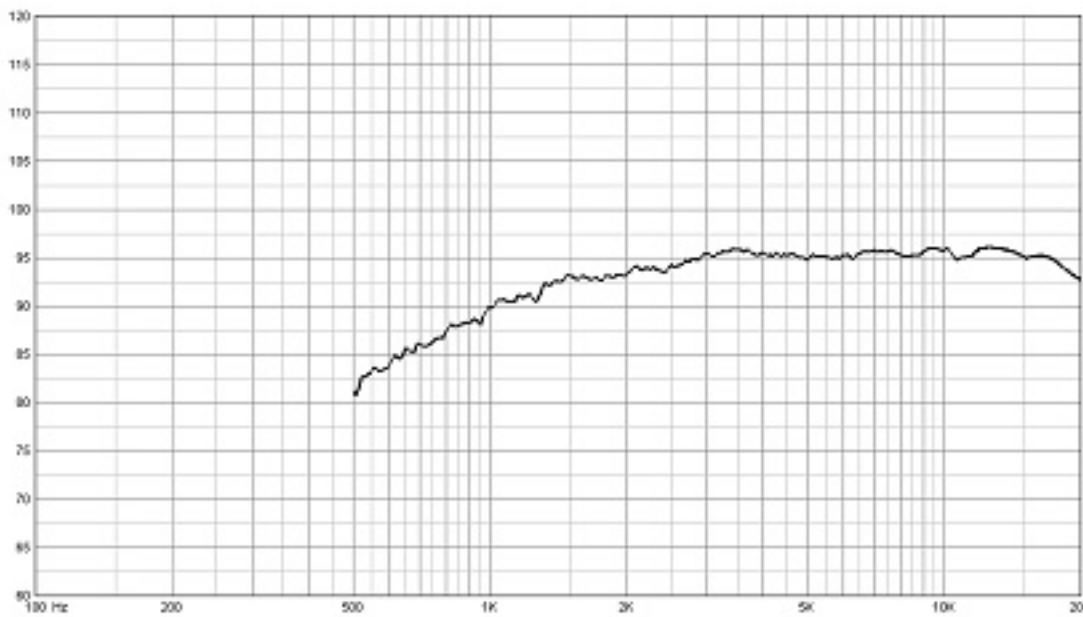


N28BER-G

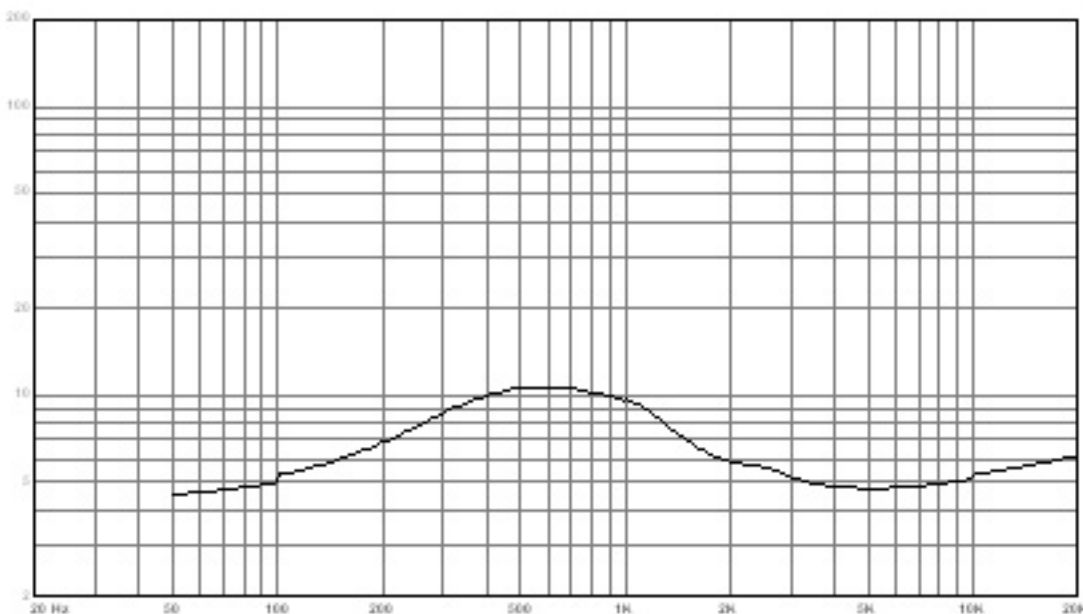
- Pure Beryllium (99.4%) dome
- Under-hung voice coil (1mm linear excursion)
- Pure silver lead wires/ terminal posts
- High-flux double magnet design
- Designed / assembled / tested in USA



Frequency Response



Impedance



Parameters

Dome Type	Convex- Beryllium
Surround	3-layer fabric
Bobbin type	Glass fiber
Impedance	6 ohm
RE	4.1 ohm
Power limit	105 W
SPL /2.83v	95.5 db
SD	6.7 cm ²
Voice coil winding height	1.6mm
Voice coil inductance	0.03 mh
Magnetic gap height	2.8mm
BL	3.4 tm
Linear excursion	1.2 mm (total)
MMS	0.23 gr
FR	560 hz
QTS	0.17