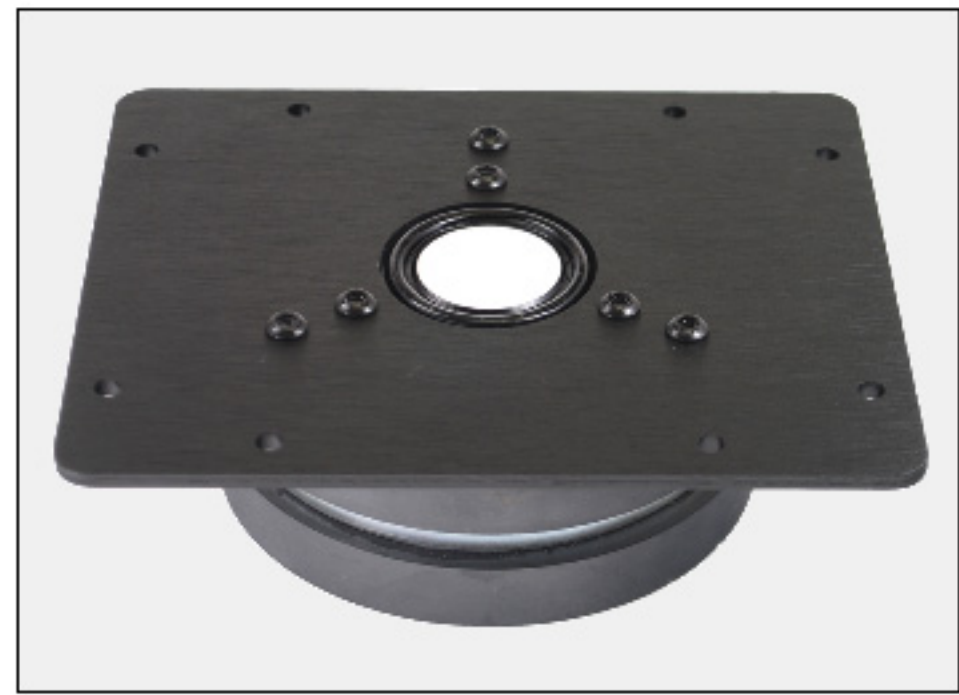
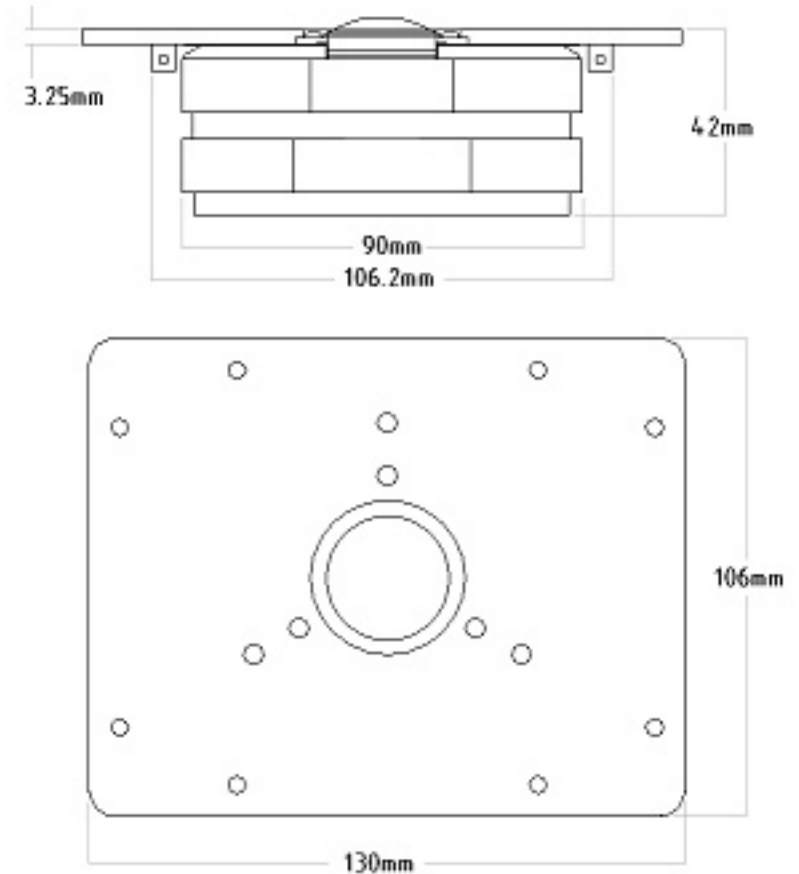
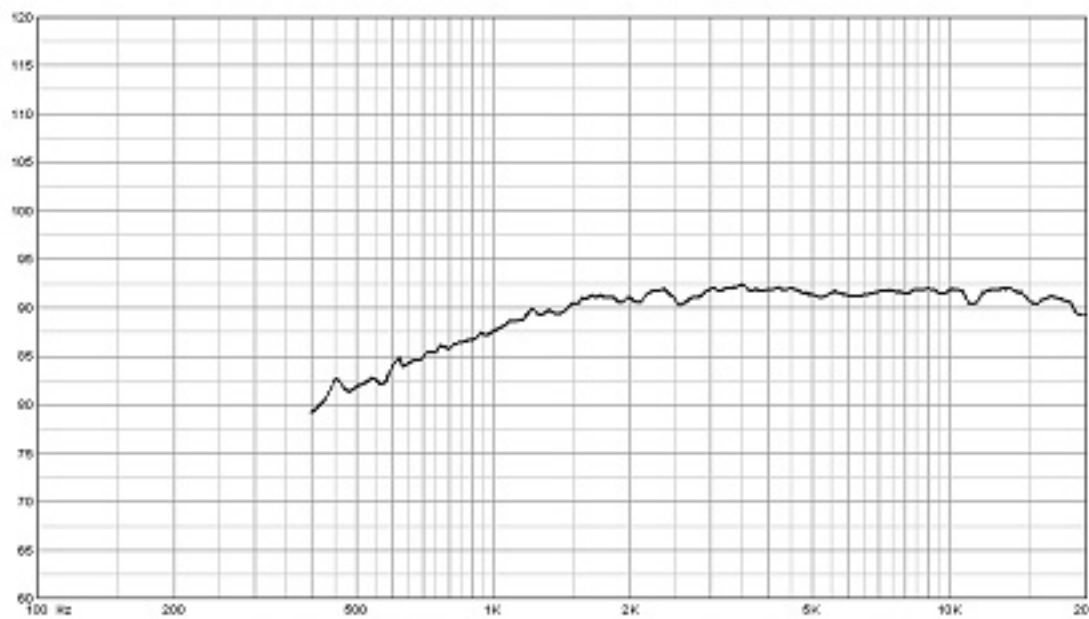


N26CS-G

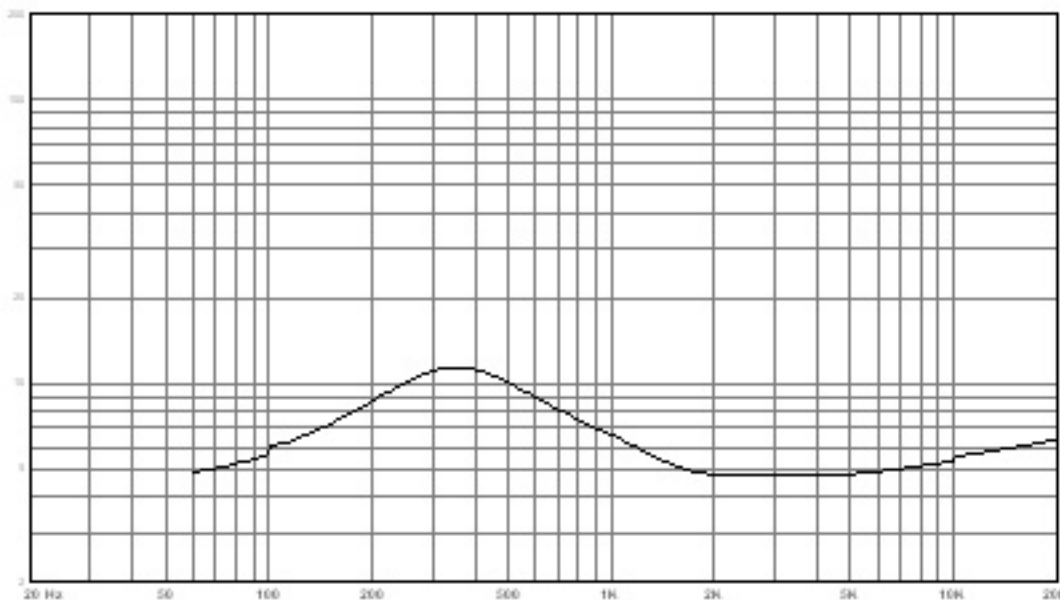
- Pure Al₂O₃ Alumina ceramic dome
- Under-hung voice coil (1mm linear excursion)
- Pure silver lead wires/ terminal posts
- High-flux double magnet design
- Designed / assembled / tested in USA



Frequency Response



Impedance



Parameters

| | |
|---------------------------|---------------------|
| Dome Type | Convex Alumina |
| Surround | 3-layer fabric |
| Bobbin type | Glass fiber |
| Impedance | 6 ohm |
| RE | 4.1 ohm |
| Power limit | 90 W |
| SPL /2.83v | 92 db |
| SD | 5.8 cm ² |
| Voice coil winding height | 1.8 mm |
| Voice coil inductance | 0.04 mh |
| Magnetic gap height | 2.8 mm |
| BL | 3.2 tm |
| Linear excursion | 1 mm (total) |
| MMS | 0.38 gr |
| FR | 390 hz |
| QTS | 0.22 |