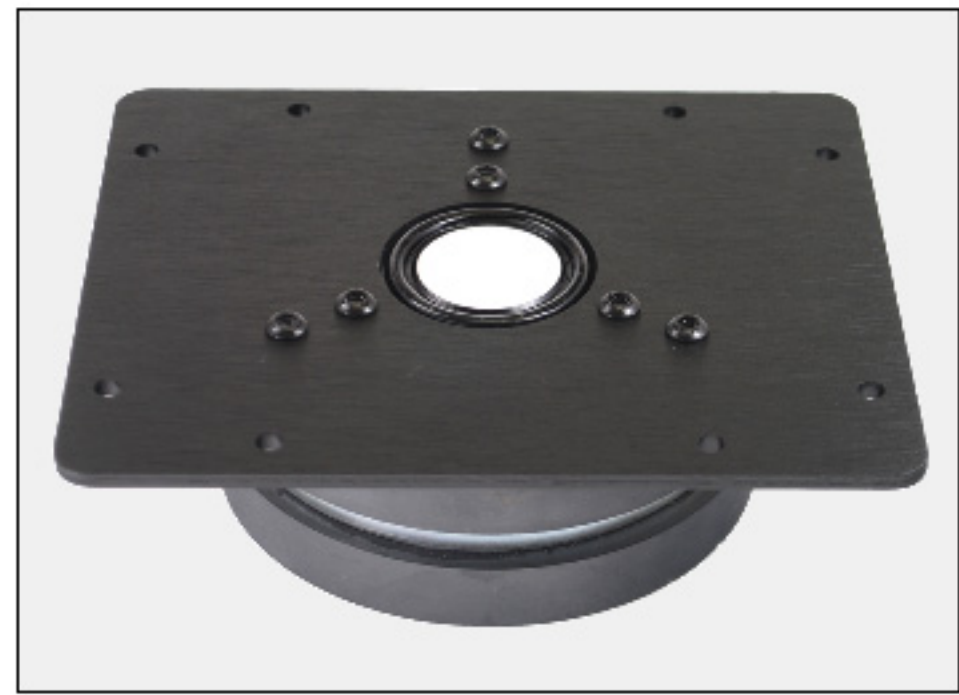
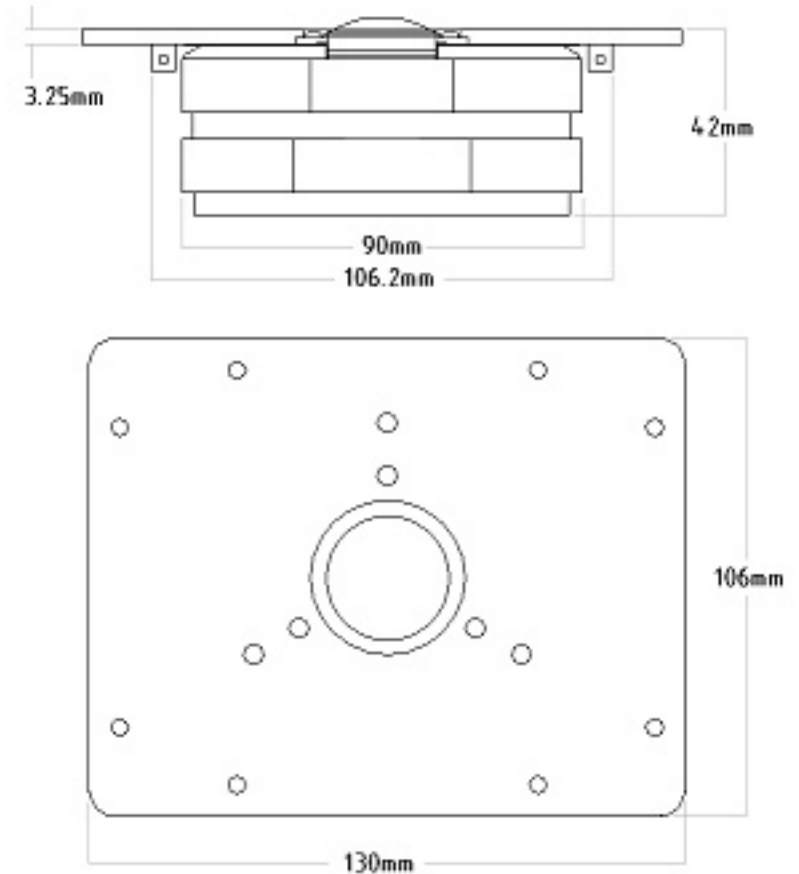
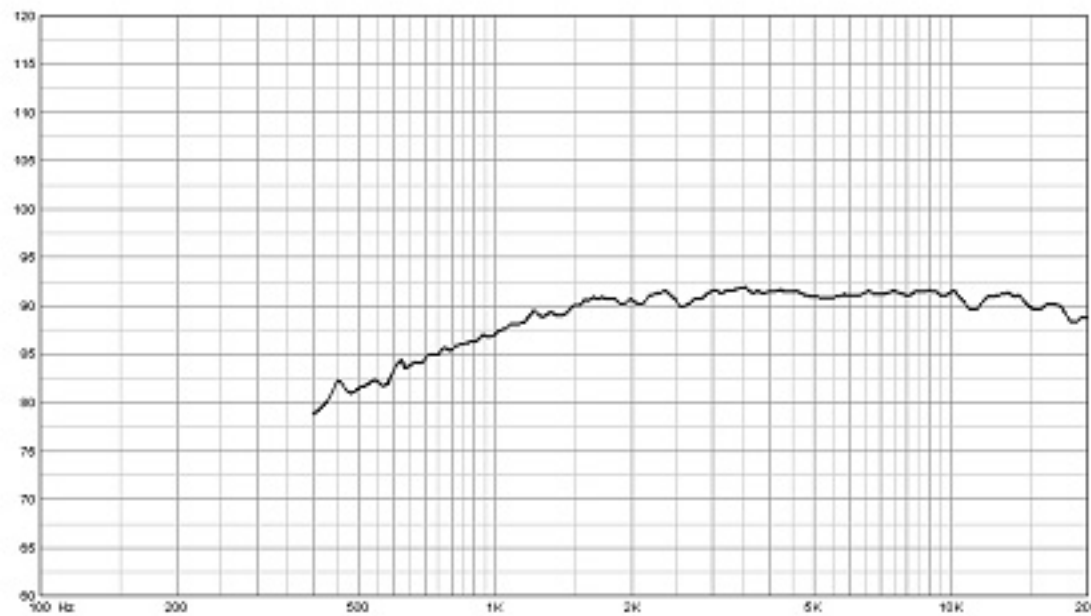


N26CS-A

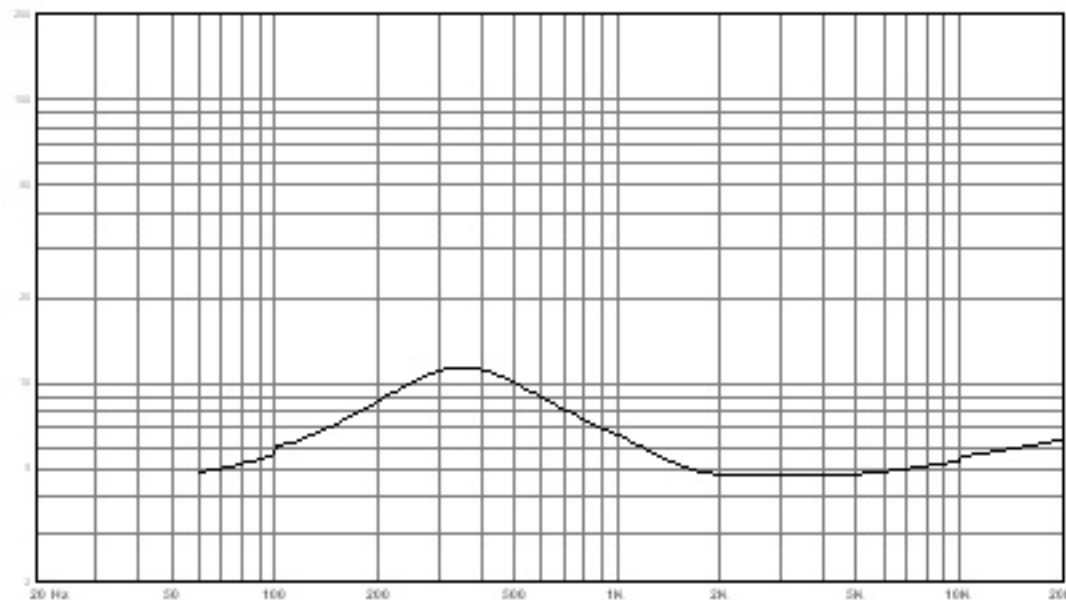
- Pure Al₂O₃ Alumina ceramic dome
- Under-hung voice coil (1mm linear excursion)
- Pure silver lead wires/ terminal posts
- High-flux double magnet design
- Designed / assembled / tested in USA



Frequency Reponse



Impedance



Parameters

Dome Type	Convex Alumina
Surround	3-layer fabric
Bobbin type	Aluminum Alloy
Impedance	6 ohm
RE	4.1 ohm
Power limit	95 W
SPL /2.83v	91.5 db
SD	5.8 cm²
Voice coil winding height	1.8 mm
Voice coil inductance	0.04 mh
Magnetic gap height	2.8 mm
BL	3.1 tm
Linear excursion	1 mm (total)
MMS	0.39 gr
FR	380 hz
QTS	0.21